

Product benefits

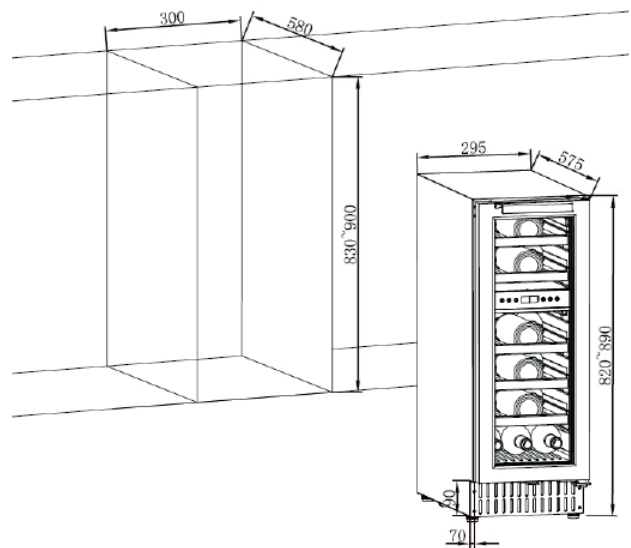
Are you a wine-lover – but with limited space in your kitchen? No problem! Our smart, compact wine cabinet fits perfectly under the worktop, making it simple to integrate with your kitchen layout. At just 30 cm wide it takes up little space, but it still boasts a wide range of features: You can store approx. 18 bottles of standard 75 cl size. It also ensures that the wine is kept at the perfect temperature, no matter whether you are stocking up on red, white or rosé. With two temperature zones of 4-12°C and 12-22°C, you can easily choose just the right temperature.

- Requires little space and fits neatly under the kitchen worktop
- Easy to integrate into your kitchen layout
- Two independent temperature zones, 4-22°C
- LED lights and digital display
- Elegant design with smoked, hardened glass featuring UV protection
- Recessed plinth and adjustable feet
- Practical wooden racks that slide out smoothly

Model

Cave 30 BU DZ

Product Code: 12700030



Technical Data

Dimensions		Temperature		Shelves	
External measurements (mm)	W 295 x H 820 - 880 x D 575	Number of cooling zones	2 independent temp. zones	Number of shelves	5
Niche measurements (mm)	W 300 x H 820 (min.) x D 580	Temperature	4-12°C in upper zone and 12-22°C in lower zone	Doors	
Weight	32 kg			Door hinging	Can be reversed
Capacity	Approx. 18 standard 75 cl bottles	Energy		Door glass	Hardened safety glass with UV protection
For building in	Yes	Consumption (kWh/year)	135	Ventilation	
		Energy class	G	Requires ventilation	Ventilation grille in plinth
		Lighting	LED 1 W		